



Dimensions 48x96x80 mm (1/16 DIN)

#### Main features

- Safety high temperature alarm threshold with relay output
- Retained alarm output with manual operator acknowledge
- Dedicated frontal button for alarm reset
- Counting of high temperature alarm tripping
- Time totalisation of high temperature alarm tripping
- Operator interface with large LCD Display, customizable, with choice of colors
- Scrolling diagnostic messages, configurable, in the selected language
- Easy, guided configuration, copy/paste parameters even with power off
- Different password levels
- Universal input configurable for thermocouples, RTDs, Current/Voltage inputs
- Relay, logic,
- RS485 serial communication in Modbus RTU
- Removable faceplate for quick replacement
- Sampling time 60 ms

#### PROFILE

Indicators 1250 L used to limit overheating in industrial processes.

In the event of alarm, the instrument latches the fault conditions until reset by the operator. Reset can be run by the operator from the front key (red R), from the digital input (optional) or serial line (optional).

As an additional feature, the instrument counts the number of times the alarm limit is exceeded and total amount of time the alarm is active.

This information can help to evaluate furnace deterioration and plan maintenance work.

The displays show the process values, plus multilingual scrolling messages for diagnostics and alarms.

The 1250 L model includes a segmented bar that graphically displays the temperature deviation from the alarm limit.

Configuration and unit operation is done with the front keys.

The keys have dual-function LEDs indicating pressing of the keys. The LEDs

provide feedback for pressed key and also provide guidance for permitted operations.

Initial commissioning is simplified by guided configuration text prompts that cover the commonly used base parameters accompanied by in line help messages.

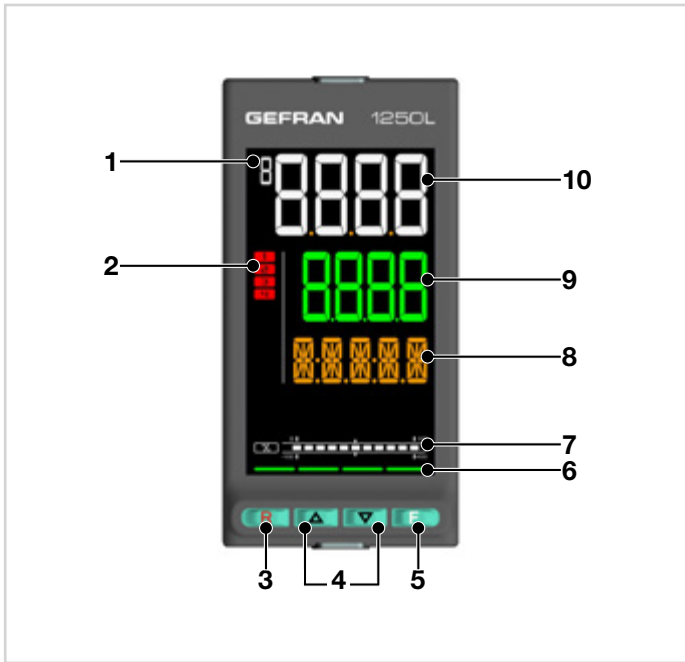
With GF\_eXpress software and PC, you can program the extended configuration, create recipes and update the firmware without having to apply power to the instrument.

Thanks to the Smart Configurator function, you obtain the required configuration by answering a few simple questions. The initial parameters can always be reset, both from the keypad and from the GF\_eXpress software.

The devices offer complete diagnostics (broken or incorrect connection of sensor), operation count, settable alarm limits (useful for scheduling preventive maintenance) A trigger meter and alarm memory reset timer are available for alarm 1.

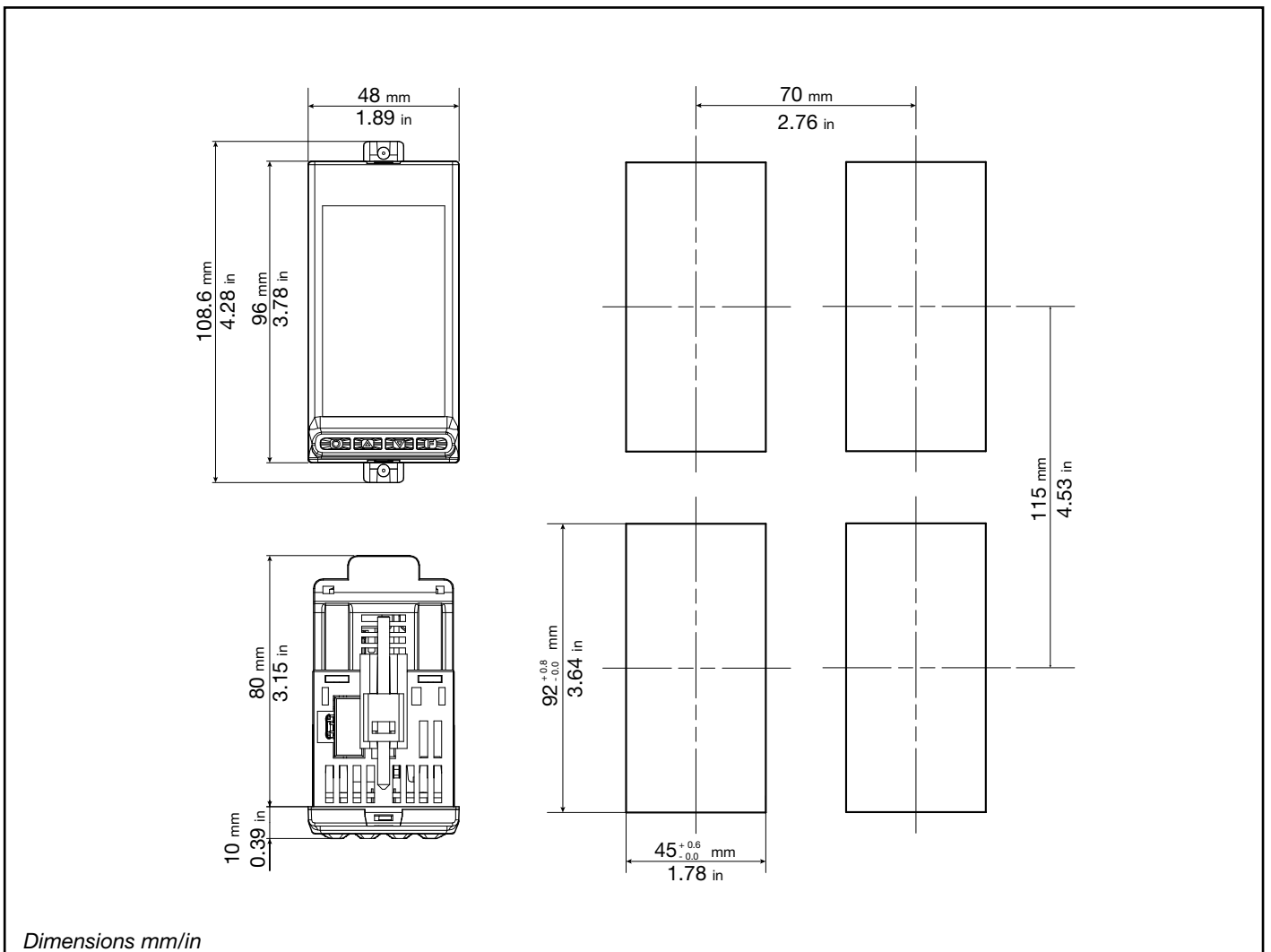
Maintenance of the system in which the device is installed is made easier by the ability to replace the instrument at any time simply by removing it from the faceplate. No additional steps are needed.

## DISPLAY AND KEYS



1. Temperature unit of measurement
2. ALARM status
3. Alarm reset key
4. Up/down keys: raise/lower the value of the parameter displayed on the SV or PV display.
5. F key: lets you navigate among menus and parameters. Confirms the parameter value and selects the next parameter.
6. Alarm 1 limit deviation display
7. Key pressed signals.
8. Display F: parameters, diagnostic and alarm messages.
9. SV display: Alarm 1 limit, parameters being set.
10. PV display: process variable, parameter values.

## DIMENSIONS AND DRILLING TEMPLATE



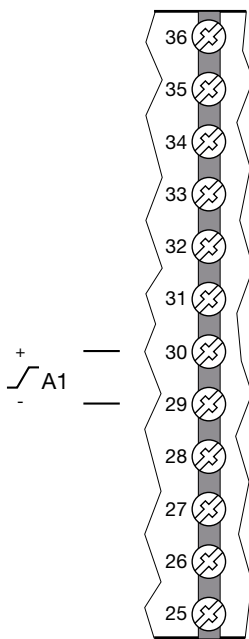
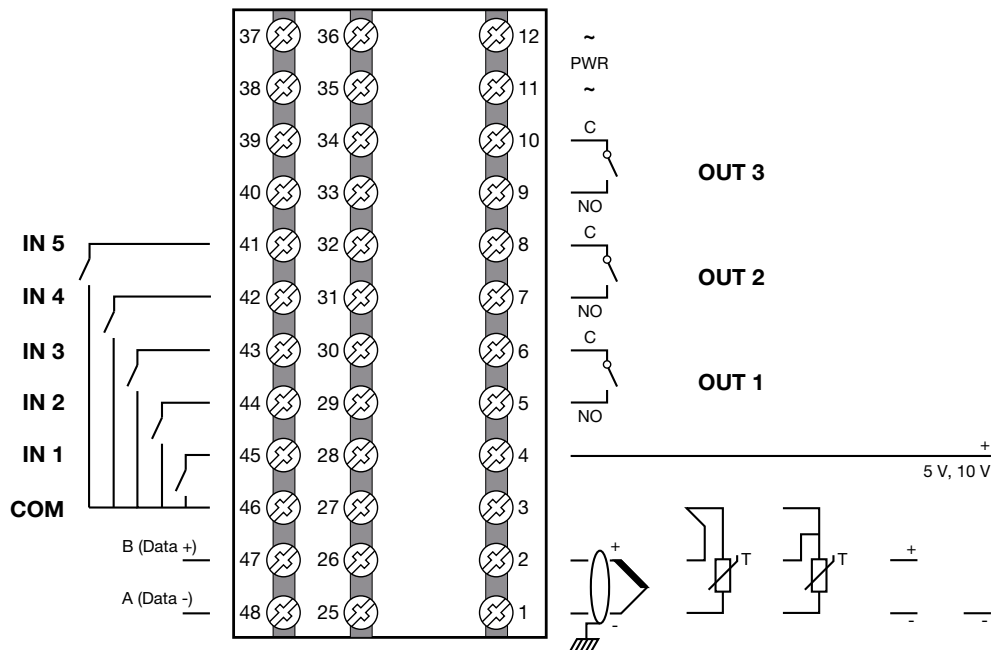


<b>OUTPUTS</b>		
	Relay (R)	Number: 4 max Type of relay contact: NO Max. current: 5 A, 250 VAC / 30 VDC, $\cos\phi = 1$ Minimum load: 5 V, 10 mA Life cycle: > 100,000 operations Double isolation
	Analog retransmission (A1)	Number: 1 max 0...10 V, max 20 mA, $R_{out} > 500 \Omega$ 0...20 mA, 4...20 mA, $R_{out} < 500 \Omega$ Resolution: 12 bit Isolated from main input
<b>ALARMS</b>	Number of alarm functions	4 max, assignable to an output
	Possible configurations	Maximum, minimum, symmetric, absolute/relative, exclusion at firing, memory, reset from keypad and/or contact,
<b>CONTROL FUNCTIONS</b>		
<b>DIAGNOSTIC</b>		Short circuit or open circuit
<b>RETENTIVE MEMORY</b>	Type	EEPROM
	Max. number of writes	1,000.000
<b>SERIAL INTERFACE</b>		
		Type: RS485 Baudrate: 1200, 2400, 4800, 9600, 19.200, 38.400, 57.600, 115.200 bit/s Protocoll: MODBUS RTU Isolated from main input
<b>GENERAL DATA</b>		
<b>POWER SUPPLY</b>	Operating voltage	100...240 VAC/VDC $\pm 10\%$ , 50/60 Hz (on request 20...27 VAC/VDC $\pm 10\%$ )
	Power dissipation	10 W max
	Protections	Overvoltage 300 V / 35 V
	Connection	Screw terminals and crimp connector, max. wire section 1 mm <sup>2</sup>
<b>CONNECTIONS</b>	Serial configuration port (for USB connection)	Connector: microUSB
	Inputs and outputs	Screw terminals and crimp connector, max. wire section 2,5 mm <sup>2</sup>
<b>AMBIENT CONDITIONS</b>	Use	Indoor
	Altitude	2000 m max
	Operating temperature	-10 ... +55 °C (as per IEC 68-2-14)
	Storage temperature	-20 ... +70 °C (as per IEC 68-2-14)
	Relative humidity	20...85% RH non-condensing (as per IEC 68-2-3)
<b>PROTECTION LEVEL</b>		IP 65 on front panel (as per IEC 68-2-3)
<b>ASSEMBLY</b>	Positioning	On panel, removable faceplate
	Installation regulations	Installation category: II; Pollution degree: 2 Isolation: double
<b>DIMENSIONS</b>		48 × 96 mm (1/8 DIN) (1.89" × 3.78") Depth: 80 mm (3.15")
<b>WEIGHT</b>		0.24 kg (53 lb)
<b>CE STANDARDS</b>	EMC (electromagnetic compatibility)	Conforms to directive 2014/30/EU with reference to standard EN 61326-1 emission in industrial environment class A for models 650 LV, 1250 emission in residential environment class B for models 650 HV
	Safety LVD	conforms to directive 2014/35/EU with reference to standard EN61010-1

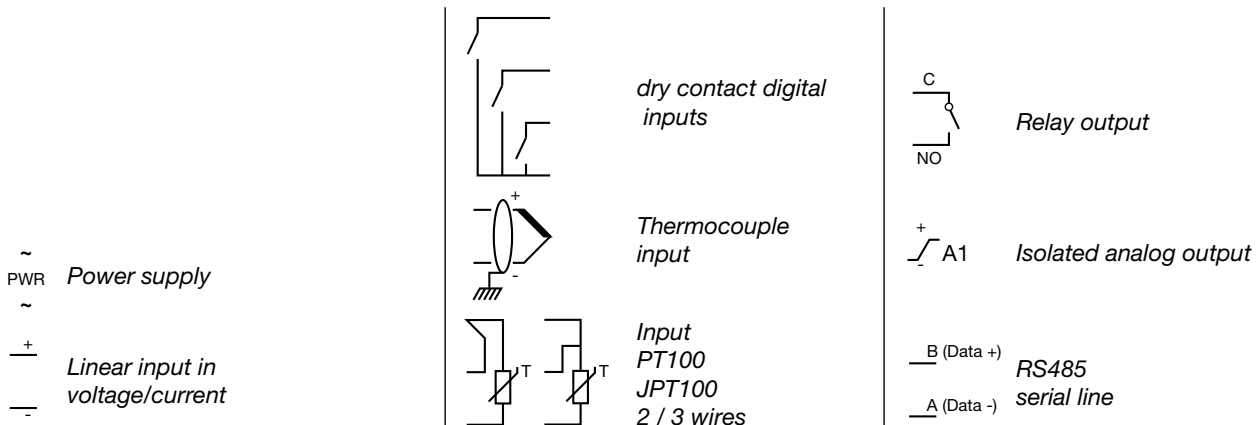
**ACCESSORIES**

<b>Code</b>	<b>Description</b>
<b>F060800</b>	Cable for programming with PC, USB-TTL 3 V with USB – microUSB connectors, length 1.8 m
<b>F043958</b>	“GF_eXpress” software CD
<b>F060909</b>	Configuration kit for new instruments GF_eXK-3-0-0
<b>51969</b>	Rubber gasket 48×96 for display
<b>51068</b>	Rubber gasket 48×96 for panel
<b>49030</b>	Fastening clip (models 1250 L)
<b>51328</b>	Finger safe cover (models 1250 L)
<b>51738</b>	36 replacement terminals (model 1250 L)

# CONNECTION DIAGRAM



## LEGEND



**ATTENTION:** For correct installation, read the warnings in the instruction manual.

## ORDER METHODS

### Power supply 100...240 VAC/VDC

Code F	Model	Valves	Programmer	Inputs			Outputs					RS485	Logic functions	Total Number of Outputs	
				Digital	CT	SPR	Relay	Triac	Logic	Analog I	Analog V/I				
F068636	1250L-R-RR0-00000-1-G						3								3 outputs
F068638	1250L-R-RR0-01051-1-G			5			3				1	•			4 outputs

### Power supply 20...27 VAC/VDC

Code F	Model	Valves	Programmer	Inputs			Outputs					RS485	Logic functions	Total Number of Outputs	
				Digital	CT	SPR	Relay	Triac	Logic	Analog I	Analog V/I				
F068637	1250L-R-RR0-00000-0-G						3								3 outputs
F069117	1250L-R-RR0-01051-0-G			5			3				1	•			4 outputs

Please contact GEFTRAN for information on additional model codes.

<b>FM</b>	FM approvals project NO: 0003054712
<b>UL</b>	Conformity C/UL/US File no. E216851
<b>CE</b>	EMC (electromagnetic compatibility): conforms to directive 2014/30/EU with reference to standard EN 61326-1 emission in industrial environment class A Safety LVD: conforms to directive 2014/35/EU with reference to standard EN61010-1