



U5200

Industrial Pressure Transducer

SPECIFICATIONS

- **High Accuracy**
- **Compact**
- **Variety of Pressure Ports and Electrical Configurations**
- **Optional Stainless Steel Snubber**
- **CE Compliant and Weatherproof**
- **Gage, Sealed, Absolute, Compound**
- **Expedite Configurations Available (10 Days)**

The U5200 pressure transducers from the UltraStable line of MEAS, with their modular design, offer maximum flexibility for different configurations. This latest series features high accuracy and a quick turnaround for demanding commercial and heavy industrial applications. This series is suitable for measurement of liquid or gas pressure, even for difficult media such as contaminated water, steam, and mildly corrosive fluids.

The wetted material is made of 316L stainless steel and the transducer's durability is excellent with no o-rings or organics exposed to the pressure media. The U5200 is weatherproof and exceeds the latest heavy industrial CE requirements including surge protection. The circuit is protected from reverse wiring at input and short circuit at output.

This product is geared to the OEM customer for low to mid volumes. MEAS stands ready to provide a custom design of the U5200 where the volume and application warrants. Additional configurations not listed are either available or possible. Please inquire for further information.

LEADER Electronic Co., Ltd.
#68 2nd Str, CuiShanLingShui, WuYi Country Garden, Jiangmen City, GD, CHINA
Tel:+ 86 750 3289680 3289698 Fax:+ 86 750 3289699
<http://www.leadersensors.com> E-mail:leader@leadersensors.com

FEATURES

- Heavy Industrial CE Approval
- 10 V/m EMI Protection
- Reverse Polarity Protection on Input
- Short Circuit Protection on Output
- Up to $\pm 0.1\%$ Accuracy
- Up to $\pm 0.75\%$ Total Error Band
- Compact Outline
- -40°C to $+125^{\circ}\text{C}$ Operating Temperature
- Weatherproof

APPLICATIONS

- Industrial Process Control and Monitoring
- Advanced HVAC Systems
- Refrigeration Systems
- Automotive Test Stands
- Off-Road Vehicles
- Pumps and Compressors
- Hydraulic/Pneumatic Systems
- Agriculture Equipment
- Energy Generation and Management

STANDARD RANGES

Range (psi)	Range (Bar)	Gage	Sealed	Absolute	Compound
0 to 002	0 to .14	•	•	•	•
0 to 005	0 to .35	•	•	•	•
0 to 015	0 to 001	•	•	•	•
0 to 030	0 to 002	•	•	•	•
0 to 050	0 to 3.5	•	•	•	•
0 to 100	0 to 007	•	•	•	•
0 to 150	0 to 010	•	•	•	•
0 to 200	0 to 014	•	•	•	•
0 to 300	0 to 020	•	•	•	•
0 to 500	0 to 035	•	•	•	•
0 to 01k	0 to 070	•	•	•	•
0 to 03k	0 to 200	•	•	•	•
0 to 05k	0 to 350	•	•	•	•
0 to 10k	0 to 700	•	•	•	•

Intermediate ranges available upon request.

PERFORMANCE SPECIFICATIONS

Ambient Temperature: 25°C (unless otherwise specified)

PARAMETERS	MIN	TYP	MAX	UNITS	NOTES
Accuracy (RSS of linearity, hysteresis, and repeatability)	-0.5		0.5	%F.S. BFSL	≤ 2psi @ 25°C
	-0.25		0.25	%F.S. BFSL	> 2psi and ≤ 5psi @ 25°C
	-0.1		0.1	%F.S. BFSL	> 5psi and ≤ 500psi @ 25°C
	-0.25		0.25	%F.S. BFSL	> 500psi and ≤ 5000psi @ 25°C
Isolation, Body to any Lead	100			MΩ	@500VDC
Dielectric Strength			2	mA	@500VAC, 1min
Pressure Cycles	1.00E+6				0~FS Cycles
Proof Pressure	3X		20k psi		Rated
Burst Pressure	4X		20k psi		Rated
Long Term Stability (1 year)	-0.1		0.1	%F.S.	
	-1.25		1.25	%F.S.	≤ 2psi
	-1.0		1.0	%F.S.	> 2psi and ≤ 5psi
	-0.75		0.75	%F.S.	> 5psi and ≤ 5000psi
Total Error Band	-1.25		1.25	%F.S.	> 5000psi
Compensated Temperature	-20		+85	°C	
Operating Temperature	-40		+125	°C	Except cable 105°C max
Storage Temperature	-40		+125	°C	Except cable 105°C max
Load Resistance (R _L)	R _L > 100k			Ω	Voltage Output
Load Resistance (R _L)	< (Supply Voltage -9V) / 0.02A			Ω	Current Output
Current Consumption			5	mA	Voltage Output
Rise Time (10% to 90%)	<2ms (Voltage Output); <3ms (Current Output); Without Snubber				
Pressure Port Material	316L Stainless Steel; 316L Stainless Steel Snubber				
Shock	50g, 11msec Half Sine Shock per MIL-STD-202G, Method 213B, Condition A				
Vibration	±20g, MIL-STD-810C, Procedure 514.2, Fig 514.2-2, Curve L				

For custom configurations, consult factory.

Notes

Compensated Temperature: The temperature range over which the product will produce an output proportional to pressure within the specified performance limits.

Operating Temperature: The temperature range over which the product will produce an output proportional to pressure but may not remain within the specified performance limits.

Storage Temperature: The temperature range over which the product can be stored safely in occasions without pressure applied or power input and remains rated performance. Beyond this temperature range may cause permanent damage to the product.

All configurations are built with supply voltage reverse and output short-circuit protections.

CE Compliance

EN 55022 Emissions Class A & B

IEC 61000-4-2 Electrostatic Discharge Immunity (8kV contact/15kV air)

IEC 61000-4-3 Radiated, Radio-Frequency Electromagnetic Field Immunity (10V/m, 80M-1GHz)

IEC 61000-4-4 Electrical Fast Transient Immunity (1kV)

IEC 61000-4-5 Surge Immunity (V+ to V-: ±2KV/42Ω; L to Case: ±1KV/12Ω; V- to V₀: ±1KV/42Ω)

IEC 61000-4-6 Immunity to Conducted Disturbances Induced by Radio Frequency

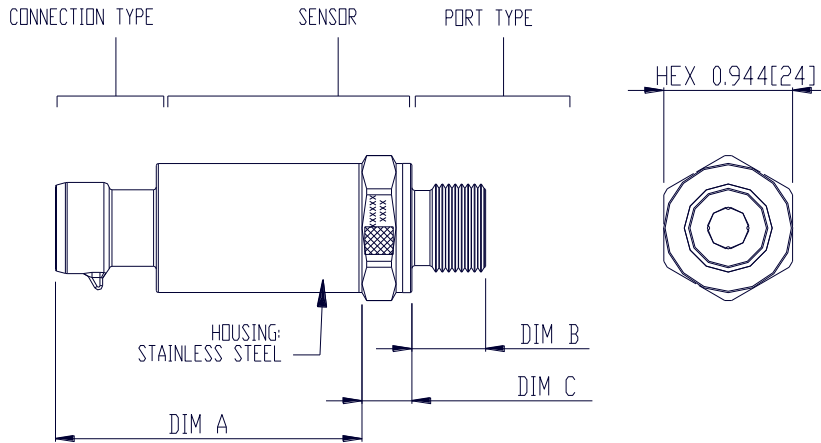
Fields (150K~80MHz, 10V level for voltage output models, 3V level for current output model)

IEC 61000-4-9 Pulse Magnetic Field Immunity (100A/m peak)

For all CE compliance tests, max allowed output deviation ±1.5 %F.S.

LEADER Electronic Co., Ltd.
 #68 2nd Str, CuiShanLingShui, WuYi Country Garden, Jiangmen City, GD, CHINA
 Tel:+ 86 750 3289680 3289698 Fax:+ 86 750 3289699
 http://www.leadersensors.com E-mail:leader@leadersensors.com

DIMENSIONS [mm]



CODE	CONNECTION TYPE	DIM A
1	CABLE 2 FT	2.19 [55.6]
E	CABLE 3 FT	2.19 [55.6]
2	CABLE 4 FT	2.19 [55.6]
3	CABLE 10 FT	2.19 [55.6]
4	PACKARD CONNECTOR A	2.25 [57.2]
5	BAYONET CONNECTOR	2.11 [53.6]
6	FORM C	1.95 [49.5]
7	FORM A	2.10 [53.3]
9	PACKARD CONNECTOR B	2.25 [57.2]
D	M12 CONNECTOR	1.95 [49.5]
M	CABLE 1 M	2.19 [55.6]
N	CABLE 2 M	2.19 [55.6]
P	CABLE 5 M	2.19 [55.6]
R	CABLE 10 M	2.19 [55.6]
A	AMP CONNECTOR	2.10 [53.3]
S	SUMITOMO CONNECTOR	1.95 [49.5]
C	1/2" NPT CONDUIT	2.10 [53.3]

FORM C	
INCLUDE MATING CONNECTOR AND SEAL.	MATING CONNECTOR AND SEAL.
CABLE 	FORM A
BAYONET CONNECTOR 	1/2" NPT CONDUIT
PACKARD CONNECTOR 	SUMITOMO CONNECTOR
M12 CONNECTOR 	AMP/TE CONNECTOR

PRESSURE PORT TYPE			
CODE	PORT	DIM B	DIM C REF.
2	1/4-19 BSPP	0.472 [11.94]	0.366 [9.3]
3	G3/8 JIS B2351	0.540 [13.72]	0.366 [9.3]
4	7/16-20UNF MALE SAE J1926-2 STRAIGHT THREAD O-RING BUNA-N 90SH-904	0.433 [11.0]	0.366 [9.3]
5	1/4-18 NPT	0.600 [15.24]	0.366 [9.3]
6	1/8-27 NPT	0.390 [9.91]	0.366 [9.3]
B	G1/4 JIS B2351	0.472 [11.94]	0.366 [9.3]
E	1/4-19 BSPT	0.500 [12.7]	0.366 [9.3]
F	1/4-19 BSPP FEMALE (without snubber)	0.771 [19.58]	0.366 [9.3]
P	7/16-20UNF FEMALE SAE J513 STRAIGHT THREAD WITH INTEGRAL VALVE DEPRESSOR	0.687 [17.5]	0.366 [9.3]
N	7/16-20UNF FEMALE SAE J513 STRAIGHT THREAD	0.687 [17.5]	0.366 [9.3]
Q	M10 x 1.0 mm ISO 6149-2	0.374 [9.5]	0.366 [9.3]
S	M12 x 1.5 mm ISO 6149-2	0.433 [11.0]	0.366 [9.3]
U	G/14 DIN 3852 FORM E GASKET DIN3869-14 NBR	0.472 [11.94]	0.445 [11.3]
W	M20 x 1.5 mm ISO 6149-2	0.551 [14.0]	0.366 [9.3]
G	M14 x 1.5 mm ISO 6149-2	0.433 [11.0]	0.366 [9.3]

Note: Refer to installation instructions for recommended torque.

WIRING

Current Output Wiring				
CONNECTION	+SUPPLY	-SUPPLY	NC. PINS	P REF VENT
Bayonet	A	B	C,D,E	F
Packard, A	A	B	C	Hole Through Connector
Packard, B	B	A	C	Hole Through Connector
Cable	RED	BLK		In Cable
1/2NPT CONDUIT	RED	BLK		In Cable
M12	1	3	2,4	Hole Through Connector
AMP/TE	1	2	3	Hole Through Connector
FORM C	1	2	3,4	Threads Through Connector
FORM A	1	2	3,4	Threads Through Connector
Sumitomo	1	2	3	Hole Through Connector

Voltage Output Wiring					
CONNECTION	+SUPPLY	+OUTPUT	COMMON	NC. PINS	P REF VENT
Bayonet	A	B	C	D,E	F
Packard, A	A	C	B		Hole Through Connector
Packard, B	B	C	A		Hole Through Connector
Cable	RED	WHT	BLK		In Cable
1/2NPT CONDUIT	RED	WHT	BLK		In Cable
M12	1	2	3	4	Hole Through Connector
AMP/TE	1	3	2		Hole Through Connector
FORM C	1	2	3	4	Threads Through Connector
FORM A	1	3	2	4	Threads Through Connector
Sumitomo	1	3	2		Hole Through Connector

Notes:

1. NC pins are reserved for factory use only. **Customers should not use these connections.**
2. For cable connection, the drain wire is internally terminated to pressure port.

LEADER Electronic Co., Ltd.
 #68 2nd Str, CuiShanLingShui, Wu Yi Country Garden, Jiangmen City, GD, CHINA
 Tel:+ 86 750 3289680 3289698 Fax:+ 86 750 3289699
 http://www.leadersensors.com E-mail:leader@leadersensors.com

CONNECTION TYPES

CONNECTION TYPES				
CONNECTION	DESCRIPTION	MATING HOUSING P/N	MATING TERMINAL P/N	RUBBER SEAL P/N
Bayonet	BAYONET PTIH-10-6P OR EQUIV	PT06A-10-6S MIL-C-26482	-	-
Packard	3-PIN METRI-PACK 150	12078090	12103881, QTY 3	-
Cable & 1/2NPT Conduit	4-WIRE, 22 AWG, SHIELDED, PVC JACKET, 105 DEGC	-	-	-
M12	BINDER SERIES 713, 09 3431 77 04 OR EQUIV	4-POS FEMALE CONNECTOR	-	-
AMP/TE	AMP / TE 3-PIN ECONOSEAL J SERIES	174357-2 & 174358-7	171630-1 (AWG 20~24) 171662-1 (AWG 16~20) QTY 3	172746-1 (AWG 20~24) 172888-2 (AWG 16~20) QTY 3
FORM C	INDUSTRIAL STANDARD 9.4MM FORM C	HIRSCHMANN 933 024-100, OR, ATAM KD046000B7 (SEAL INCL.)	-	HIRSCHMANN 730 185-002
FORM A	DIN EN 175 301-803-A 18MM	HIRSCHMANN 931 969-100, OR, ATAM KA245000B4 (SEAL INCL.)	-	HIRSCHMANN 730 801-002
Sumitomo	SUMITOMO 3-PIN HV040	6189-6907	8100-3067 (AWG 20~22) 8100-3068 (AWG 16~18) QTY 3	7165-1075 (INS. DIA 1.1~1.6MM) 7176-0621 (INS. DIA 1.6~1.9MM) 7165-0622 (INS. DIA 1.8~2.2MM) QTY 3

Note: Transmitter of gage pressure type requires vent to atmosphere on the pressure reference side. This is accomplished via cable from the transmitter (the end of the cable should be terminated to clean and dry area) or through the customer mating connector/cable assembly which has internal vent path.

Suggested vented M12 mating connector P/N MB12FWAFF04ST-4 and MB12FWAFF04ST-3 at www.finecables.com for 0.157"~0.236" and 0.236"~0.315" diameter cable respectively.

WEATHERPROOF

WEATHER-PROOF RATING	
CONNECTION	IP CODE
Bayonet	IP67
Packard	IP66
Cable	IP67
1/2NPT CONDUIT	IP67
M12	IP67
AMP/TE	IP67
FORM C	IP65
FORM A	IP65
Sumitomo	IP67

Note: Weatherproof ratings are met when the mating connectors are installed properly and the cable termination is to dry and clean area.

OUTPUTS

CODE	OUTPUT SIGNAL	SUPPLY VOLTAGE
3	0.5 - 4.5V RATIOMETRIC	5 ± 0.25V PROTECTED to 30V
4	1 - 5V	8 - 30V
5	4 - 20mA	9 - 30V
6	0 - 5V	8 - 30V
7	0 - 10V	12 - 30V
8	1 - 6V	8 - 30V
9	0.5 - 4.5V	5 - 30V

ORDERING INFORMATION

U52	3	1	-	0	0	00	0	5	-	100P	G
Model	Output Signal	Connection Type	-	Shipping	Snubber	00	Label	Pressure Port	-	Pressure Range	Pressure Type
U52	3 = 0.5 – 4.5V Ratiometric 4 = 1 – 5V 5 = 4 – 20mA 6 = 0 – 5V 7 = 0 – 10V 8 = 1 – 6V 9 = 0.5 – 4.5V	1 = Cable 2 ft E = Cable 3 ft 2 = Cable 4 ft 3 = Cable 10 ft 4 = Packard Connector A 5 = Bayonet Connector 6 = Form C 7 = Form A 9 = Packard Connector B D = M12 Connector M = Cable 1 m N = Cable 2 m P = Cable 5 m R = Cable 10 m A = Amp Connector S = Sumitomo Connector C = 1/2" NPT Conduit	-	0 = Standard H = Expedite	0 = No Snubber 1 = With Snubber	00	0 = Adhesive Label 1 = Laser Marking	2 = 1/4-19 BSPP 3 = G3/8 JIS B2351 4 = 7/16-20UNF Male SAE J1926-2 Straight Thread O-Ring BUNA-N 90SH-904 5 = 1/4-18 NPT 6 = 1/8-27NPT B = G1/4 JIS B2351 E = 1/4-19 BSPT F = 1/4-19 BSPP Female P = 7/16-20UNF Female SAE J513 Straight Thread with Integral Valve Depressor Q = M10 x 1.0 mm ISO 6149-2 N = 7/16-20UNF Female SAE J513 Straight Thread S = M12 x 1.5 mm ISO 6149-2 U = G1/4 DIN 3852 Form E Gasket DIN3869-14 NBR W = M20 x 1.5 mm ISO 6149-2 G = M14 x 1.5 mm ISO 6149-2	-	002P .14B 005P .35B 015P 001B 030P 002B 050P 3.5B 100P 007B 150P 010B 200P 014B 300P 020B 500P 035B 01KP 070B 03KP 200B 05KP 350B 10KP 700B	G = Gage S = Sealed A = Absolute C = Compound G = Gage S = Sealed A = Absolute C = Compound G = Gage S = Sealed A = Absolute (Port 2, 5 only) C = Compound

Note: Selections in blue (expedite) have a 10 business day lead time with a 19 piece maximum order.
 Compound pressure range is -14.7 to xxxpsig or -1 to xxxbarg. (e.g. 200PC: -14.7 to 200psig, 020BC: -1 to 20barg)
 Refer to online installation instruction for recommended torque.

Installation instructions will no longer be shipped with unit delivery.
 This document is available on our website in English and Chinese.

Standard In-Stock Models: M12 Connector, 1/4-18 NPT Pressure Port, Gage Type
 These popular configurations below are typical units available off the shelf:

4 - 20mA Output	0 - 5V Output	0 - 10V Output
U525D-000005-01KPG	U526D-000005-01KPG	U527D-000005-01KPG
U525D-000005-050PG	U526D-000005-050PG	U527D-000005-050PG
U525D-000005-05KPG	U526D-000005-05KPG	U527D-000005-05KPG
U525D-000005-150PG	U526D-000005-150PG	U527D-000005-150PG
U525D-000005-500PG	U526D-000005-500PG	U527D-000005-500PG

LEADER Electronic Co., Ltd.
 #68 2nd Str, CuiShanLingShui, WuYi Country Garden, Jiangmen City, GD, CHINA
 Tel:+ 86 750 3289680 3289698 Fax:+ 86 750 3289699
 http://www.leadersensors.com E-mail:leader@leadersensors.com

U5200

Industrial Pressure Transducer

LEADER Electronic Co., Ltd.
#68 2nd Str, CuiShanLingShui, WuYi Country Garden, Jiangmen City, GD, CHINA
Tel:+ 86 750 3289680 3289698 Fax:+ 86 750 3289699
<http://www.leadersensors.com> E-mail:leader@leadersensors.com